

MODIFICATION TO 'A' BRACKET POKER GAUGES

The operations involved in taking a reading with a normal 'A' bracket poker gauge are by no means involved or difficult to perform in a workshop, or even on an 'A' bracket in one's natural element—air. However, without in any way discrediting the excellence of the naval diver, it was felt that any further simplification that could be achieved would both increase the reliability of the results and be appreciated by the diver.

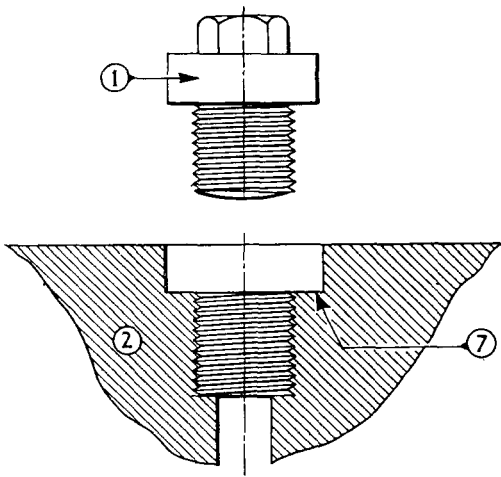
A modification was proposed by Lieutenant (E) J. P. Toller, R.N., for which an award has been made from the Herbert Lott Naval Trust Fund.

A trial during which both the old method and the new method described below were used, was carried out by H.M.S. *Vanguard*. The diver found the new method much easier to use and it proved quite as accurate as the old, a difference of only 0.001 in. occurring between readings taken by the two methods.

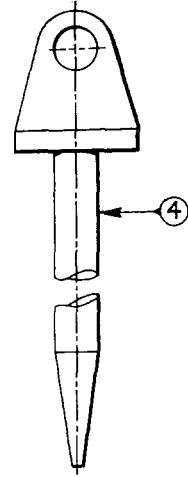
Normal Method

The normal sequence of operations to take one of these measurements is as follows (see accompanying diagrams) :—

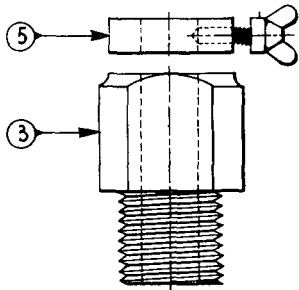
- (a) Remove screwed plug (1) from 'A' bracket (2),
- (b) Screw in hollow plug (3) in place of plug (1),
- (c) Insert poker gauge (4) with collar (5) attached,
- (d) With poker gauge resting on shaft, move collar on poker gauge until it rests on plug (3). Clamp it in place,
- (e) Remove poker gauge with collar attached,
- (f) Remove hollow plug (3),
- (g) Replace plug (1).



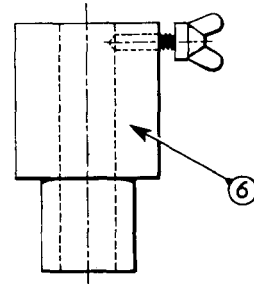
'A' BRACKET & PROTECTIVE PLUG



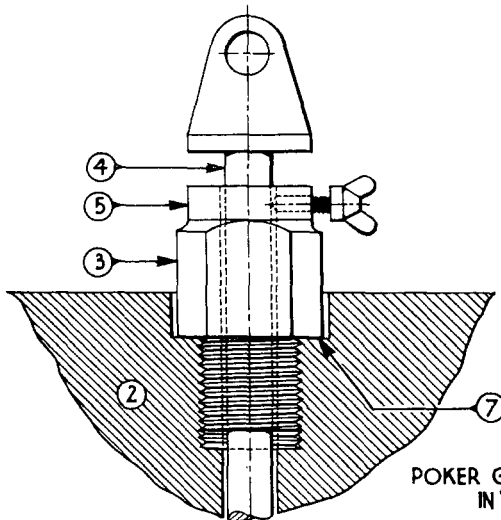
POKER GAUGE



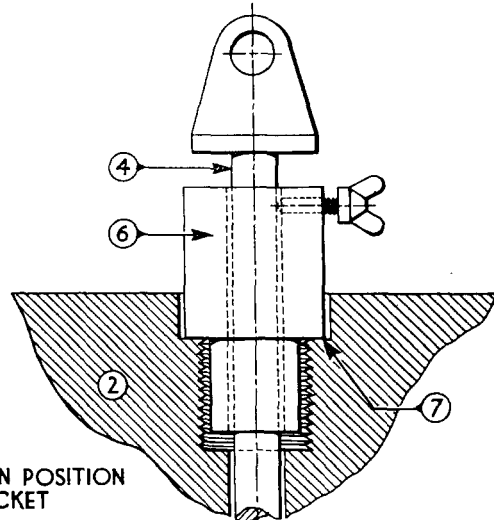
STANDARD SCREWED PLUG & COLLAR



MODIFIED PLUG



STANDARD ASSEMBLY



MODIFIED ASSEMBLY

POKER GAUGE IN POSITION
IN 'A' BRACKET

MODIFICATION TO 'A' BRACKET POKER GAUGES

New Method

The sequence of operations using the modified plug is as follows :—

- (a) Remove plug (1) from 'A' bracket (2),
- (b) Insert poker gauge (4) with plug (6) attached,
- (c) With poker gauge resting on shaft, move plug down to rest on reference face (7). Clamp it in place,
- (d) Remove poker gauge with plug attached,
- (e) Replace plug (1).

Advantages

The advantages of this modification are :—

- (a) Reduction of the number and difficulty of operations to be carried out by the diver,
 - (b) Increased reliability of the reading taken. It is possible that the screwed plug (3) might become thread-bound and give the diver the impression that it is hard down on the seat. It is far easier to ensure that the modified plug is hard down on the reference face,
 - (c) Reduced number of loose parts to be used by the diver,
 - (d) Time saved.
-